

**CLEOPATRA**  
**Infrared Heated Chaise Lounge**  
Technical Specification

Fabio Alemanno Design Ltd

ID: GB169898424  
Biggleswade SG18 0NU - UK  
Copertino I-73043 - Italy

**CLEOPATRA CLASSICO**

Technical Specification



Discover the world's most elegant expression of "thermotherapy".

Natural Infrared Energy embodied in an artisan, marble sculpture.

Diva is available in the version LITHO (assembled marbles) and MUSIVE (marble-ceramic-glass mosaic). The model "Classico" is unique in its structure combining both design and technology. With its adjustable tilt angle it offers optimum relaxation and a zero gravity effect. Its precise ergonomics and its characteristic versatility make "Classico" the perfect choice for professional use.

Description:

- Infrared Heated Loungers Sculpture, carved out from a single Marble block on metal construction. Available in Limestone (IVOIRE), in White Statuario marble (BLANCHE), in Black Marquinia marble and in many different marbles or stones on request.
- Ergonomically designed;
- Internal radiating heat system up to 105°F/41.5°C;
- Suitable for both indoors and outdoors;
- Maintenance free;
- Unlimited use possibility thanks incorporate rollers.

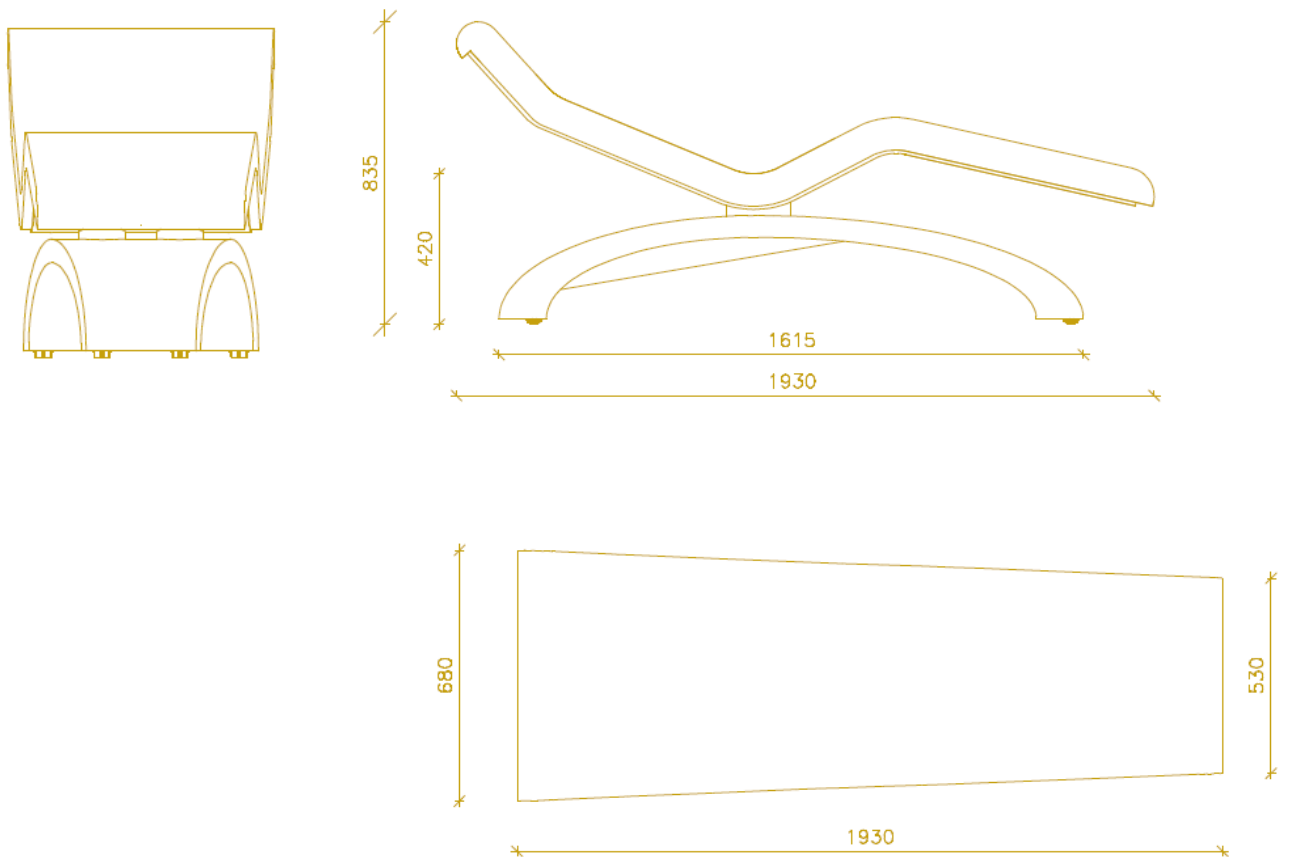
Specification:

- |  |   |
|--|---|
| <ul style="list-style-type: none"> <li>- <b>General protection:</b></li> <li>- <b>Temperature:</b></li> <li>- <b>Heated Area standard</b></li> <li>- <b>Heating System Standard:</b></li> <li>- <b>Voltage Standard System:</b></li> <li>- <b>Thermostat:</b></li> <li>- <b>Power outlet:</b></li> <li>- <b>Lift for automatic tilting (Upgrade):</b></li> <li>- <b>Certifications:</b></li> </ul> | <p>IP54<br/>available up to 41.5°C/105°F<br/>1 zone holohedral;<br/>Electric space heating cables<br/>220-240V/800W; 110-120V/950W<br/>Digital; IP65 UL-TÜV approved<br/>European Bosch standard; IP54<br/>Linear actuators; UL-TÜV approved; IP65<br/>UL-TÜV approved components</p> |
|--|---|

## Cleopatra Hot Stone Chaise Longue

CLEOPATRA CLASSICO

### Technical Drawings



Construction Base:  
Construction Base covering:  
Covering finish:  
Wheels:  
Weight:  
Dimension:

Rustfree metal  
Fibreglass  
Metallic lacquer  
4 Floor protective vulcanized rubber; bearing 100kg/each  
235kg  
length: 193cm; width 68cm; height: 84cm

### **Fabio Alemanno Design Ltd**

7 East Walk  
Biggleswade SG18 0NU - UK  
Phone: +44 20 8144 9239

email: [fabio@alemanno.de](mailto:fabio@alemanno.de)  
web: [www.fa-design.co.uk](http://www.fa-design.co.uk)

**Factory: Artigiani del marmo**  
Via Galatina 89  
I-73043 Copertino - Italy  
Phone: +39 0832 949281

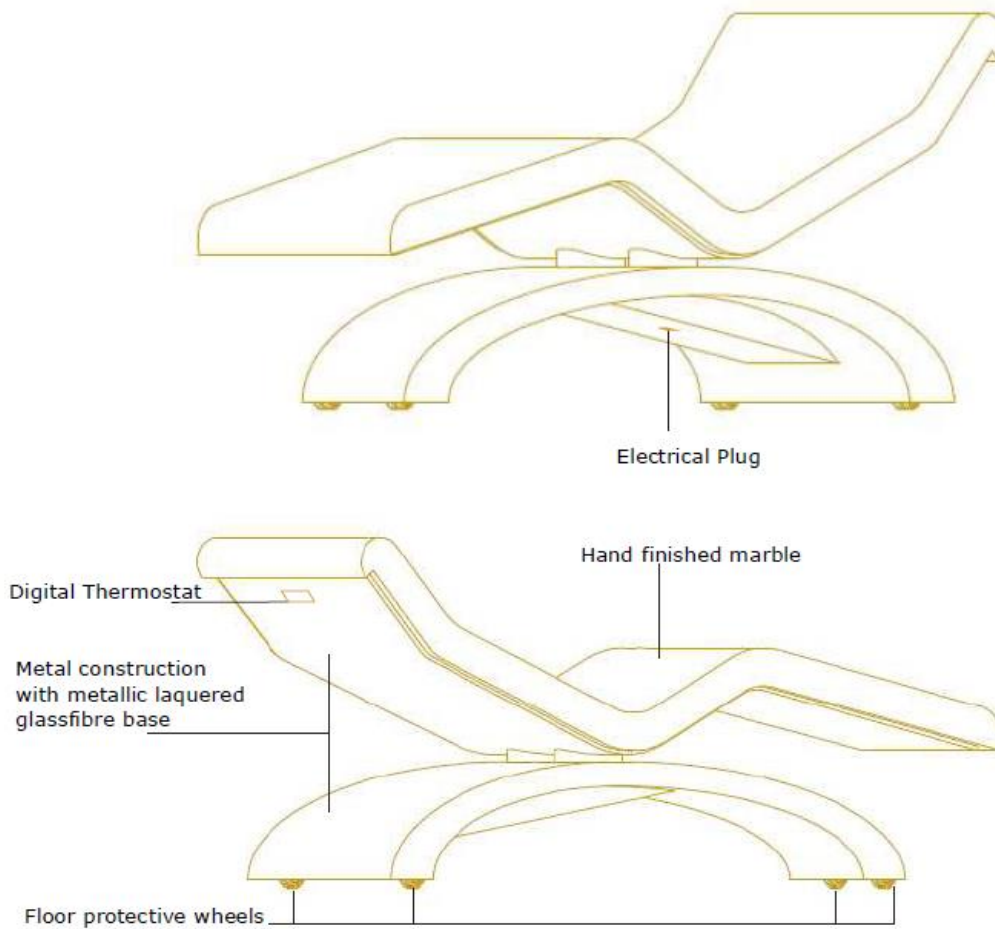
[www.fabio-alemanno-design.com](http://www.fabio-alemanno-design.com)

[www.alemanno.de](http://www.alemanno.de)

## Cleopatra INFRARED HEATED LOUNGERS

CLEOPATRA CLASSICO

Technical Drawings



If fixed installation is needed Cleopatra could be delivered without wheels.  
In this case the connection could be hidden in the base.

**Fabio Alemanno Design Ltd**